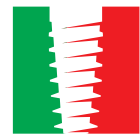




JDENTAL CARE

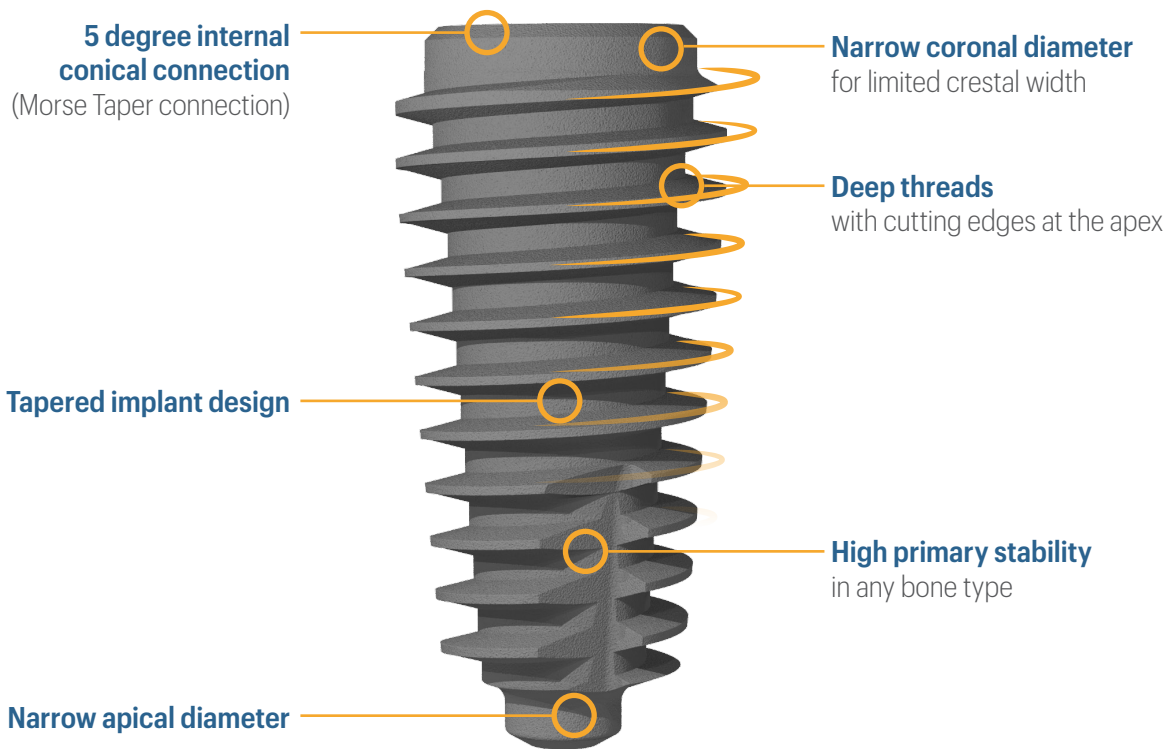
just smile



MADE IN ITALY

JD ICON **PLUS T**

THE POWER OF T DESIGN

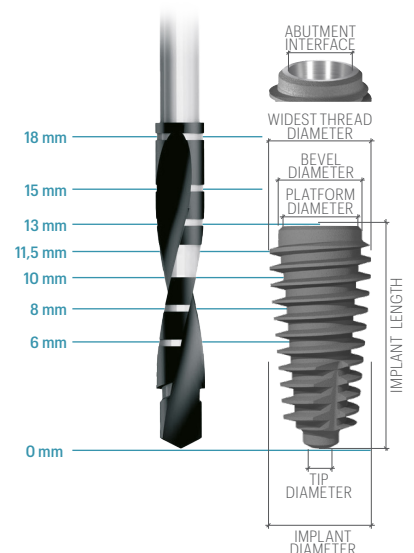


PRODUCT SPECIFICATIONS

The JDIcon Plus T dental implants are available in the diameters and lengths shown in the following table:

| IMPLANT DIAMETER | TIP DIAMETER | ABUTMENT INTERFACE | PLATFORM DIAMETER | BEVEL DIAMETER | WIDEST THREAD DIAMETER | LENGTH | | | |
|------------------|--------------|--------------------|-------------------|----------------|------------------------|--------|----|------|----|
| | | | | | | | | | |
| Ø 3,5 | 1,6 | 3,1 | 3,4 | 3,8 | 4,0 | | 10 | 11,5 | 13 |
| Ø 4,0 | 1,75 | 3,1 | 3,6 | 4,0 | 4,4 | 8,5 | 10 | 11,5 | 13 |
| Ø 4,5 | 1,75 | 3,1 | 3,6 | 4,0 | 4,9 | 8,5 | 10 | 11,5 | 13 |

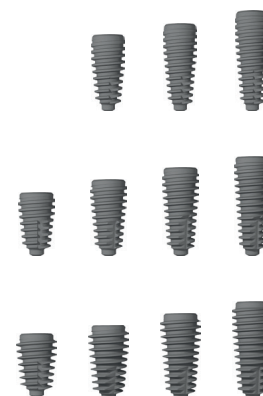
Note: all measurements in mm



PRODUCT CATALOGUE

Implants:

| | |
|-----------|--------------------------|
| IM37100-0 | JDIcon Plus Ø 3,5 L 10 |
| IM37115-0 | JDIcon Plus Ø 3,5 L 11,5 |
| IM37130-0 | JDIcon Plus Ø 3,5 L 13 |
| | |
| ICT40080. | JDIcon Plus Ø 4,0 L 8,5 |
| ICT40100. | JDIcon Plus Ø 4,0 L 10 |
| ICT40115. | JDIcon Plus Ø 4,0 L 11,5 |
| ICT40130. | JDIcon Plus Ø 4,0 L 13 |
| | |
| ICT45080. | JDIcon Plus Ø 4,5 L 8,5 |
| ICT45100. | JDIcon Plus Ø 4,5 L 10 |
| ICT45115. | JDIcon Plus Ø 4,5 L 11,5 |
| ICT45130. | JDIcon Plus Ø 4,5 L 13 |



Note: All the prosthetic components are the same as JDIcon Plus implant line

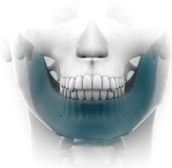
DRILLING PROTOCOLS

It is recommended to adhere to the indications of the following drilling sequence to ensure optimal primary stability of the implants.

| IMPLANT DIAMETER | HEALED BONE | | POST EXTRACTIVE BONE | |
|------------------|--|---|---|---|
| | SOFT BONE | MEDIUM-DENSE BONE | SOFT BONE | MEDIUM-DENSE BONE |
| Ø 3,5 | 2,0 2,4 2,8 up to the 1 st laser mark L 6mm | 2,0 2,4 2,8 3,2 up to the 1 st laser mark L 6mm | 2,0 2,4 2,8 3,2 up to the 1 st laser mark L 6mm | 2,0 2,4 2,8 at the entrance |
| Ø 4,0 | 2,0 2,4 2,8 3,2 at the entrance | 2,0 2,4 2,8 3,2 up to the 1 st laser mark L 6-8mm 3,6 at the entrance | 2,0 2,4 2,8 3,2 at the entrance | 2,0 2,4 2,8 3,2 at the entrance |
| Ø 4,5 | 2,0 2,4 2,8 3,2 3,6 up to the 1 st laser mark L 6mm | 2,0 2,4 2,8 3,2 3,6 up to the 1 st laser mark L 6mm 4,0 at the entrance | 2,0 2,4 2,8 3,2 3,6 at the entrance up to the 1 st laser mark L 6mm | 2,0 2,4 2,8 3,2 3,6 at the entrance up to the 1 st laser mark L 6mm |



| IMPLANT DIAMETER | HEALED BONE | | POST EXTRACTIVE BONE | |
|------------------|---|--|---|--|
| | SOFT BONE | MEDIUM-DENSE BONE | SOFT BONE | MEDIUM-DENSE BONE |
| Ø 3,5 | 2,0 2,4 2,8 3,2 up to the 1 st laser mark L6mm | 2,0 2,4 2,8 3,2 up to the 2 nd laser mark L8mm 3,6 up to the 1 st laser mark L 6mm | 2,0 2,4 2,8 | 2,0 2,4 2,8 3,2 at the entrance |
| Ø 4,0 | 2,0 2,4 2,8 3,2 3,6 up to the 2 nd laser mark L8mm | 2,0 2,4 2,8 3,2 3,6 4,0 up to the 2 nd laser mark L8mm 4,4 up to the 1 st laser mark L 6mm | 2,0 2,4 2,8 3,2 at the entrance | 2,0 2,4 2,8 3,2 3,6 at the entrance |
| Ø 4,5 | 2,0 2,4 2,8 3,2 3,6 at the entrance 4,0 at the entrance | 2,0 2,4 2,8 3,2 3,6 4,0 4,4 4,8 at the entrance | 2,0 2,4 2,8 3,2 3,6 at the entrance | 2,0 2,4 2,8 3,2 3,6 4,0 at the entrance |



Note: all measurements in mm

JDentalCare, the JDentalCare logo and other trademarks mentioned in this document are, excluding specifically mentioned exceptions, trademarks property of JDentalCare.

The images of the products represented in this brochure are not necessarily to scale.

Note: Not all products manufactured by JDentalCare and represented in this brochure have been regulatory cleared/released for sale in all countries and/or have been licensed in accordance with FDA Rules and Regulations.

For more information about current product assortment and availability, please contact your local JDentalCare distributor. For prescription only.

Caution: Federal (US) law restricts this device to sale by or on the other for a licensed dentist. See instructions for use for more information such as indications, warnings, precaution and contraindications.

REV.01 of 2023-04-19